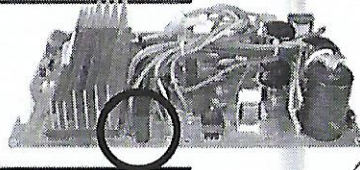
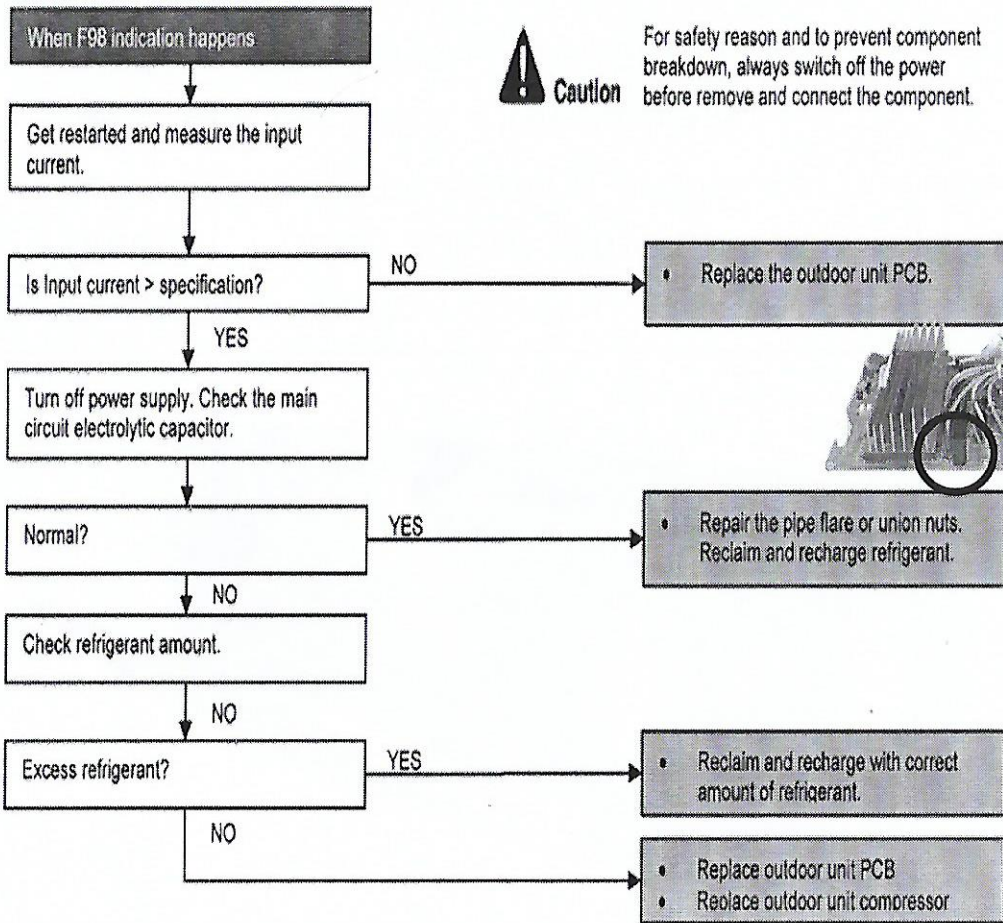


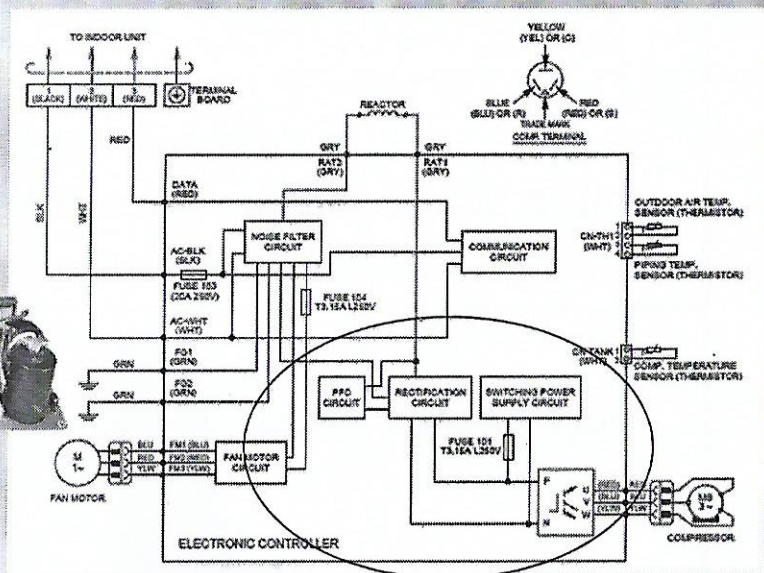
Troubleshooting Guide – F98

Total Running Current Protection



1st Checking Point :

Check the input current valve at the current transformer



2nd Checking Point :

1. Dirtiness of the outdoor condenser.
2. Pressure & Running Amp.
3. Installed location or any blockage in front the outdoor.
4. Connecting piping over bent
5. Capillary tube blocked.
6. Outdoor fan motor not working.
7. Outdoor FM capacitor at PCB defected.
8. Over refrigerant in system.
9. Refrigerant pressure to confirm the refrigerant amount

Failure Root Causes (Primary location /parts to verify)

1. Outdoor PCB.
2. Compressor
3. Outdoor Fan motor